

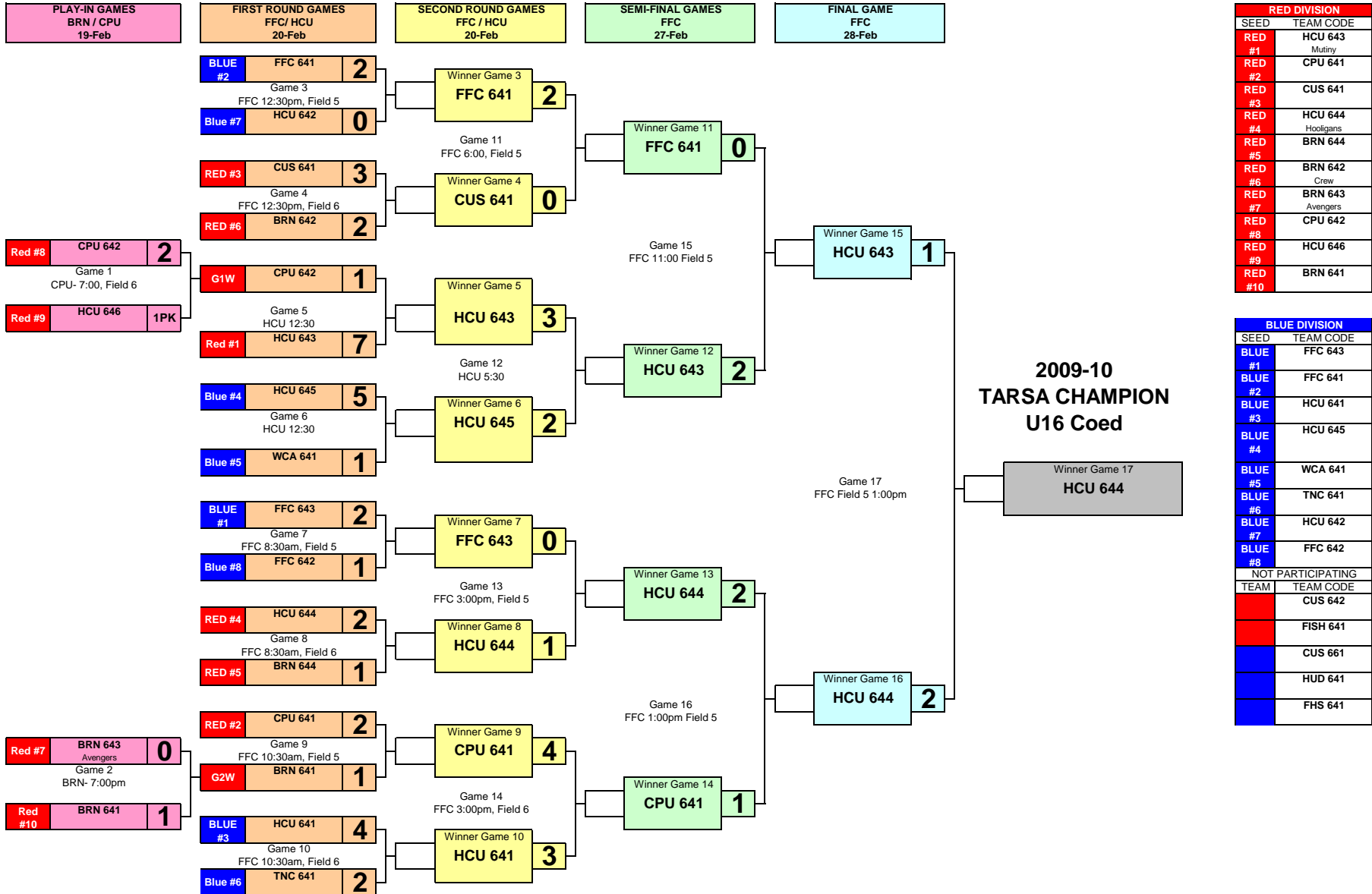
# 2009-10 TARSA U16 Coed

**SITE DIRECTORS**

CPU-Fran Reidy- 352- 588-8246  
 FISH-Tiffany- 813-995-1472  
 FFC- Kyle McLeish 813-205-4239  
 HCU- Laura- 813- 785-4372

**REF FEES**

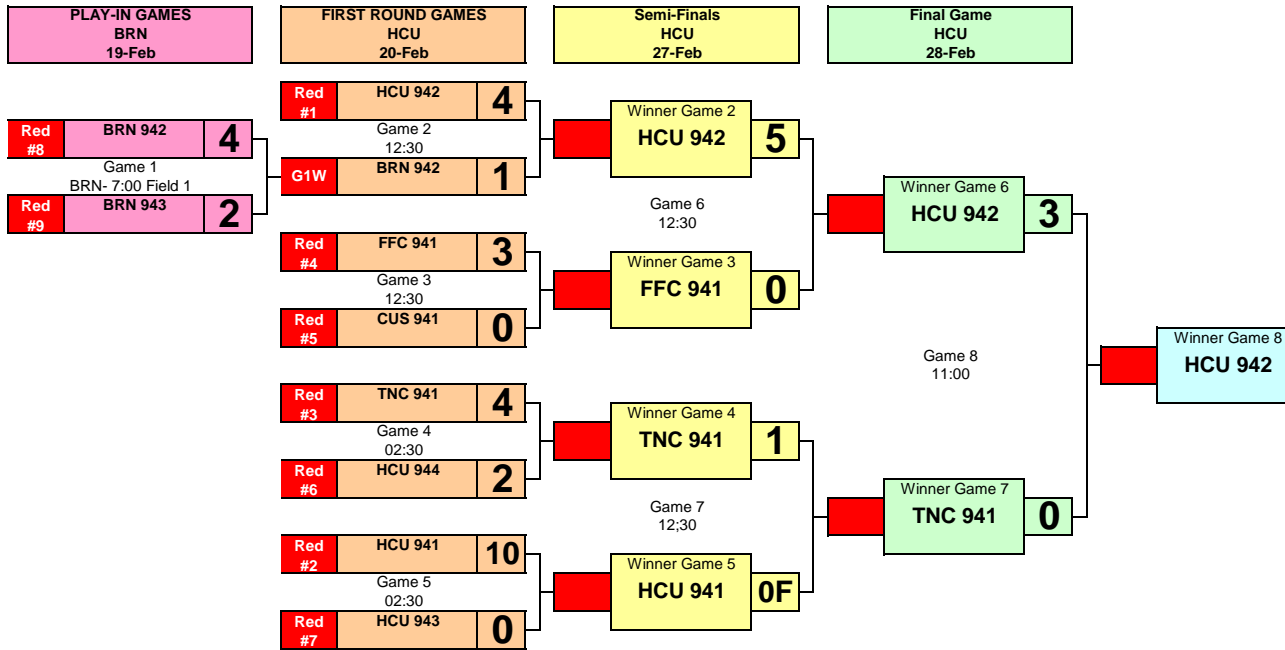
FFC- \$40 per team/\$80 total  
 HCU- \$40 per team/ \$80 total



# 2009-10 TARSA U19 COED

**SITE DIRECTORS**  
 BRN- Joanne- 813-684-5948  
 HCU- Laura- 813- 785-4372

**REF FEES**  
 BRN-\$34 per team/ \$68 total  
 HCU- \$40 per team/ \$80 total



**2009-10  
 TARSA CHAMPION  
 U19 COED**

RED DIVISION	
SEED	TEAM CODE
RED #1	HCU 942
RED #2	HCU 941
RED #3	TNC 941
RED #4	FFC 941
RED #5	CUS 941
RED #6	HCU 944
RED #7	HCU 943
RED #8	BRN 942
RED #9	BRN 943
NOT PARTICIPATING	
TEAM	TEAM CODE
	BRN 941

\*\*\* FOR ALL GAMES, THE HIGHER SEEDED TEAM IS THE "HOME" TEAM \*\*\*